

CNC LATHE AUTOMATION SYSTEM

V E R S A **B** U I L T
R O B O T I C S

The VersaBuilt CNC Lathe Automation System for Universal Robots makes high-mix automation easy and flexible. Combined with a UR10e robot from Universal Robots, the VersaBuilt CNC Lathe Automation System has everything needed to successfully automate a CNC Lathe. All components of the system are pre-assembled and designed to work together. Starting with basic hand tools, the VersaBuilt CNC Lathe Automation System can be installed and processing parts in a day.



NO PROGRAMMING REQUIRED

The VersaBuilt System Controller (VSC) is easy-to-use software designed from the ground-up for automating CNC lathes. All robot motion is pre-programmed allowing deployment in hours instead of weeks. Simply enter part dimension information into the VSC and enjoy the benefits of CNC automation without the tedious programming.

DUAL-HEADED GRIPPER

A Dual-Headed Gripper increases processing efficiency by allowing the robot to unload a completed part and load the next part in a single motion inside the lathe. The VersaBuilt Dual-Headed Gripper can process almost any part shape by allowing each gripper to utilize part-specific custom fingers.

V E R S A **B** U I L T
R O B O T I C S

Contact us for more details
sales@versabuilt.com
(208) 906-0814

VersaCart 1300

Portable cart optimized for the UR10e robot

Visual Infeed System

Part alignment grid improves operator efficiency and maximizes infeed capacity over a wide range of part sizes

Dual-Headed Gripper

Dedicated grippers for raw material and completed part increase processing efficiency and supports widest range of part shapes

VersaBuilt System Controller (VSC)

CNC automation control system provides rich graphical user interface and coordinates all CNC, robot, and IO functions eliminating the need for tedious robot programming

Optional VersaDoor

Simple and reliable automatic door opener for CNC available for single or double doors

INTRODUCTORY PRICING

Lathe Automation System with UR10e \$73,895
Lathe Automation System Standalone \$24,995

CNC LATHE AUTOMATION SYSTEM

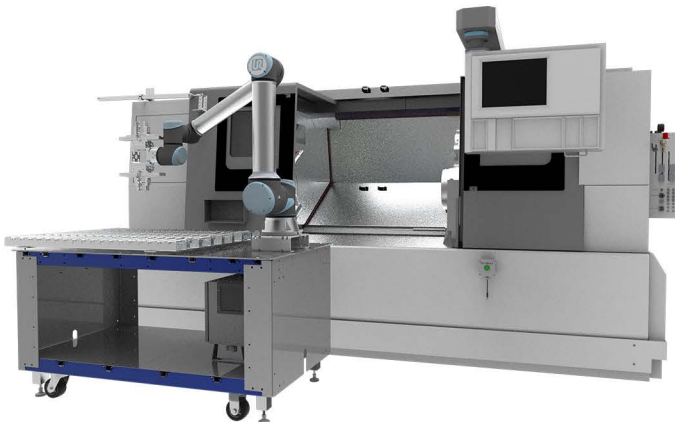
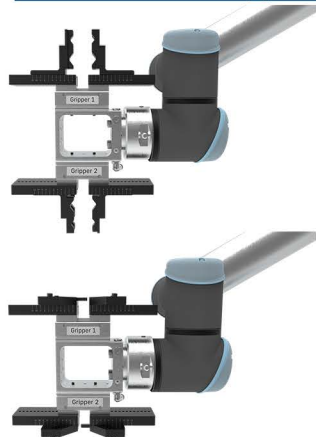
Included with CNC Lathe Automation System

- VersaCart 1300
- VersaBuilt System Controller (VSC)
- Dual-Headed Gripper
- Cycle Start and Chuck Actuation control



VersaCart 1300

Dual-Headed Gripper



Technical Specifications

Electrical Power

- Robot and controller = 110 VAC
- VersaBuilt System Controller = 110 VAC
- Ethernet Switch = 110 VAC

Pneumatic

- 90-120 psi air conditioned to meet ISO 8573-1:2010 [7:4:4]

VersaCart 1300

- 56" L x 32" W x 32" H
- Moveable VersaCart via casters
- Lock in-position by lowering footpads
- Parts located on visual infeed
- Part Capacity Chart (puck)
 - 1" Diameter = 176 pieces
 - 2" Diameter = 88 pieces
 - 3" Diameter = 55 pieces
 - 4" Diameter = 35 pieces
 - 5" Diameter = 28 pieces
 - 6" Diameter = 20 pieces

VersaBuilt System Controller (VSC)

- Tablet or laptop (not included) enables users to configure, test, and run jobs
- VSC manages communication with CNC controller and robot controller
- Digital I/O and pneumatic outputs

Dual-Headed Gripper

- Pneumatic operation, 120 psi Max
- Clamping force at 120 psi = 50 lbs
- Clamps pipes or pucks

V E R S A **B U I L T**
R O B O T I C S